



Product Applications

Panel-through connectors

Sicma



Terminal System Overview



Housing Overview

14/16/34 way sealed system for 1.5 + 2.8 mm terminals

Features

- 14/16 and 34 position housings available for 1.5 + 2.8 mm terminals
- Real sealing ensured by mat-seal
- Male housing incorporates a mobile grid to support blade terminals guiding and mating
- Terminal position assurance (T.P.A.)
- Protected locking cam on female housing



Performance characteristics

- Temperature range: from -40° C to +125° C
- Contact retention force: > 60 N
- Contact insertion force: < 10 N
- Connector mating force: < 65 N
- Sealing protection: IP 67
- Acceptable wire range: from 0.35 mm² to 2.5 mm²

Construction

- Housing material: PBT
- Interfacial seal: Silicone (grommet)

Tooling

- T.P.A. removal tool: 210S043
- Terminal removal tool
 - Female terminal: 210S041
 - Male terminal: 210S042

Connector compatibility

- Usable terminals:
 - Sicma-3 1.5 mm female terminals
 - Sicma-3 1.5 mm male terminals
 - Sicma-3 2.8 mm female terminals
 - Sicma-3 2.8 mm male terminals

Overview of SICMA housings

| Part Numbers | No. of position | Terminal size | Type | Colour |
|---------------------|-----------------|------------------------------|----------------|------------|
| DTB FH PE 14 BK SV* | 14 | 12 x [1.5 mm] + 2 x [2.8 mm] | Female housing | Black |
| DTB MH PE 14 BK SV* | 14 | 12 x [1.5 mm] + 2 x [2.8 mm] | Male housing | Dark Green |
| DTB FH PE 14 BK | 14 | 12 x [1.5 mm] + 2 x [2.8 mm] | Female housing | Black |
| DTB MH PE 14 BK | 14 | 12 x [1.5 mm] + 2 x [2.8 mm] | Male housing | Dark Green |
| SIC FH PE 16 BK SV* | 16 | 16 x [1.5 mm] | Female housing | Black |
| SIC MH PE 16 BK SV* | 16 | 16 x [1.5 mm] | Male housing | Black |
| 211PC349S0033* | 34 | 30 x [1.5 mm] + 4 x [2.8 mm] | Female housing | Black |
| 211PC349S8033* | 34 | 30 x [1.5 mm] + 4 x [2.8 mm] | Female housing | Grey |
| 211PL349S0033* | 34 | 30 x [1.5 mm] + 4 x [2.8 mm] | Male housing | Black |
| 211PL349S8033* | 34 | 30 x [1.5 mm] + 4 x [2.8 mm] | Male housing | Grey |

*Sealed version



Table of Content



Product Applications

Panel-through connectors



Sicma



Terminal System Overview

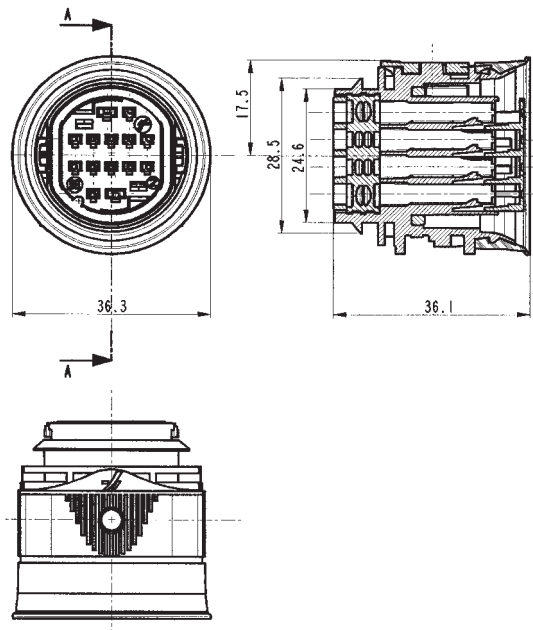
14/16/34 way sealed system for 1.5 + 2.8 mm terminals

Dimensional characteristics

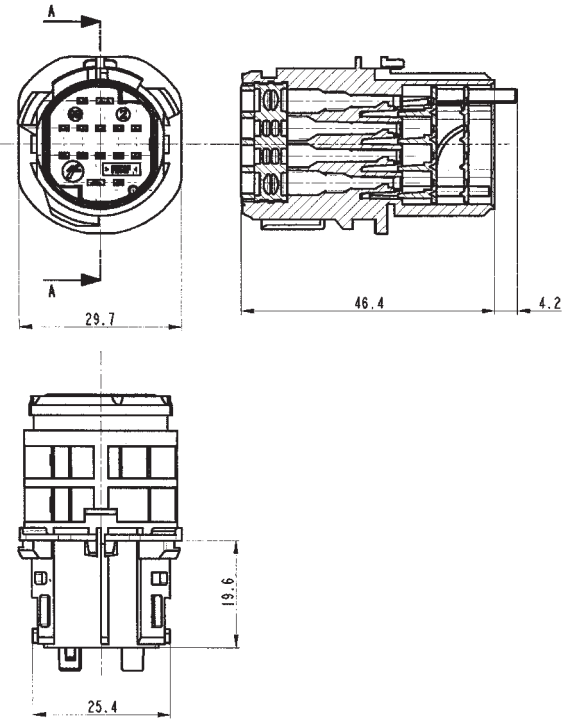


Housing Overview

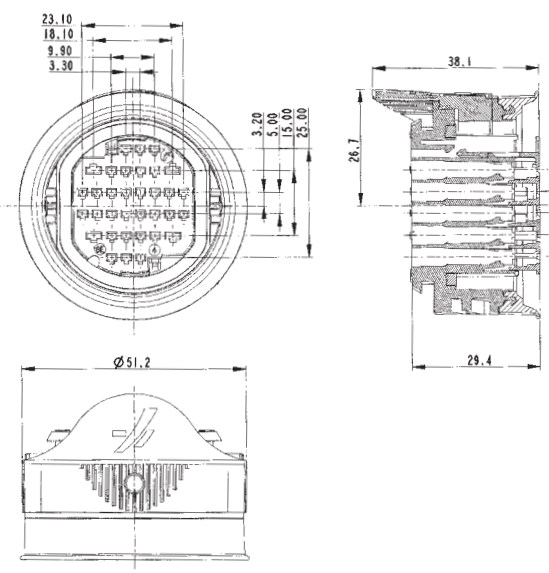
14/16 way female housing



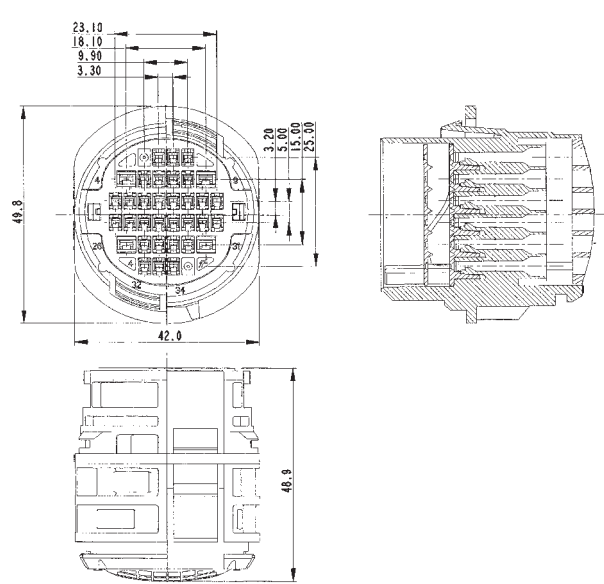
14/16 way male housing



34 way female housing



34 way male housing





Panel-through connectors



Sicma



Terminal System Overview

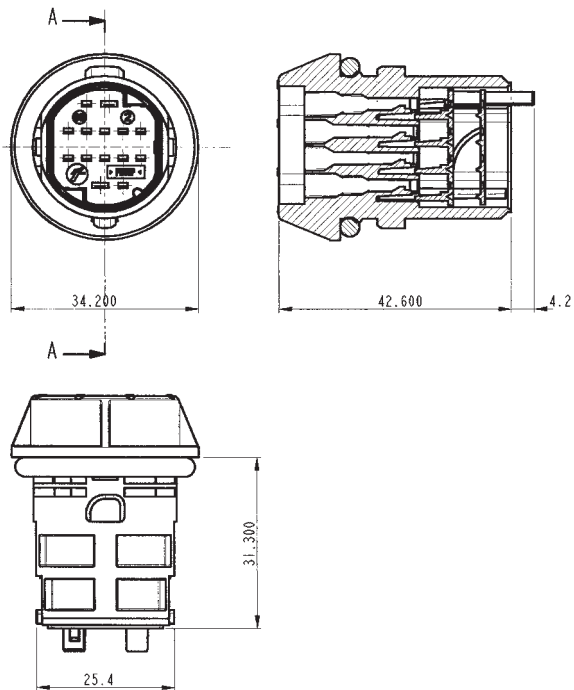
14/16/34 way sealed system for 1.5 + 2.8 mm terminals

Dimensional characteristics



Housing Overview

14 way male housing for head-lamp version



Notes:

